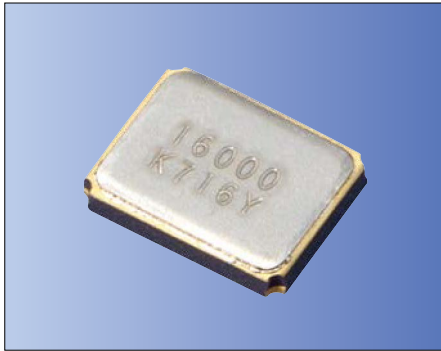


Crystal Units

Surface Mount Type CX3225SB



3.2x2.5mm for Consumer Products/ Mobile Communications



RoHS Compliant

Features

- Crystal unit for Consumer Products
- Miniature and low profile (3.2x2.5x0.55mm)
- Ceramic package
- Reflow compatible

Applications

- Digital Electronics
- Consumer Products
- Mobile Communications, Bluetooth®, Wireless LAN

* Bluetooth® Trademarks are owned by Bluetooth SIG Inc.

How to Order

CX3225SB 12000

- ① Series ② Frequency
 ③ Load Capacitance ④ Frequency Tolerance
D0 8 pF **G** $\pm 15 \times 10^{-6}$
 ⑤ Operating Temp. Range ⑥ Frequency Temp. Stability
EJ -10 to +70°C $\pm 15 \times 10^{-6}$
LJ -30 to +85°C $\pm 15 \times 10^{-6}$
 ⑦ Individual Specification

Packaging (Tape & Reel 3000 pcs./ reel)

Specifications

Item	Symbol	Specification	Units	Remarks
Frequency Range	f _{nom}	12000 to 54000	kHz	
Overtone Order	OT	Fundamental	—	
Load Capacitance	CL	8	pF	Please contact us for other Load Capacitance.
Frequency Tolerance	f _{tol}	±15	$\times 10^{-6}$	25°C±3°C
Motional Series Resistance	R1	Table 1	ohm	
Drive Level	DL	Table 2	μW	
Operating Temp. Range	T _{use}	-10 to +70	-30 to +85	°C
Storage Temp. Range	T _{stg}	-40 to +85		°C
Frequency Temp. Characteristics	f _{tem}	±15	$\times 10^{-6}$	Freq. deviation from the value at 25°C

Please contact us for other specifications.

Table1 Motional Series Resistance

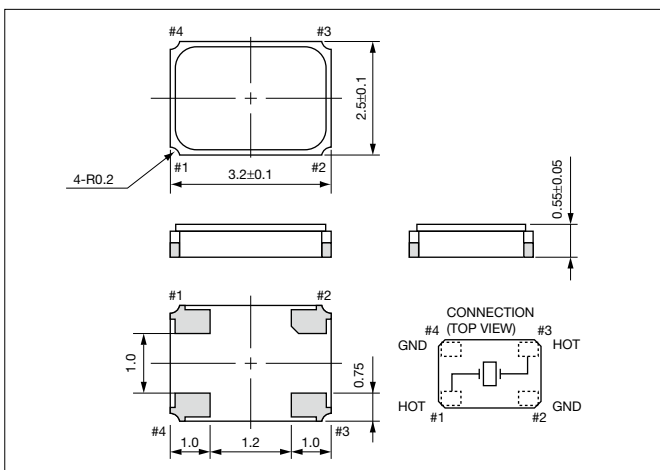
Frequency Range	Motional Series Resistance
12000 ≤ f _{nom} < 13000kHz	150Ω max.
13000 ≤ f _{nom} < 20000kHz	80Ω max.
20000 ≤ f _{nom} ≤ 54000kHz	50Ω max.

Table2 Level of Drive

Frequency Range	Level of Drive
12000 ≤ f _{nom} ≤ 54000kHz	10μW (100μW max.)

Dimensions

(Unit: mm)



Recommended Land Pattern

(Unit: mm)

